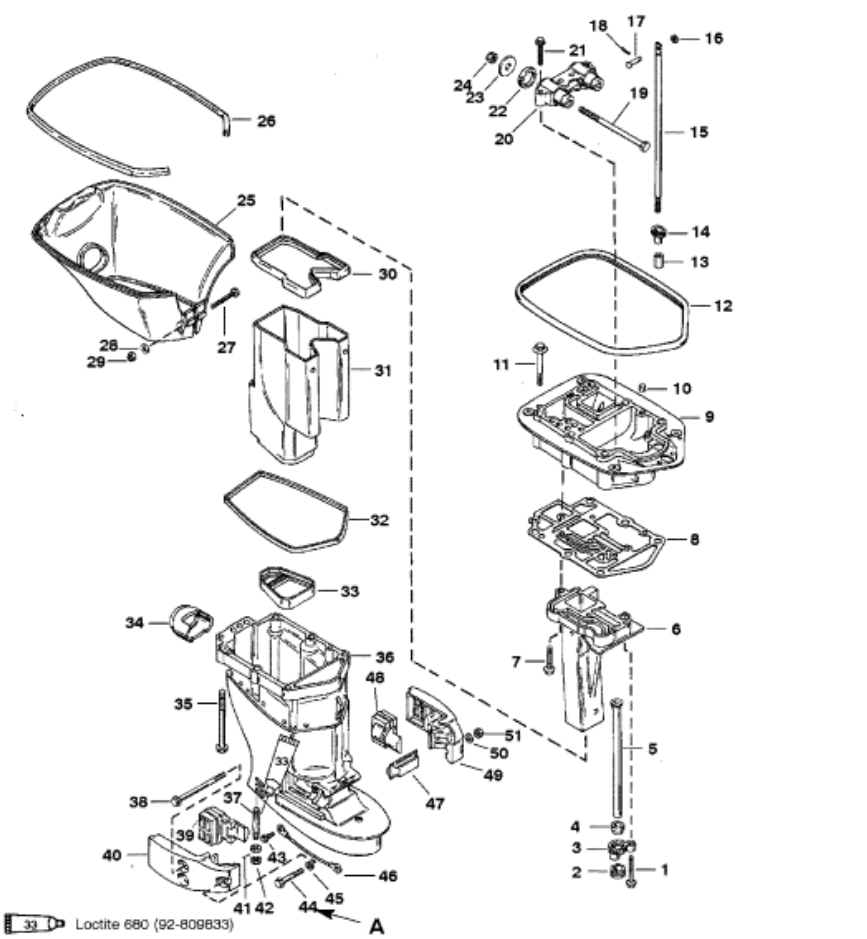


Parts List



33 Loctite 680 (92-809833)

**A** = TORQUE THE REAR TOP AND THEN THE BOTTOM LOWER MOUNT BOLT/NUT FIRST; THEN TORQUE THE FRONT BOLT/NUT. AFTER TORQUING THE FRONT BOLT/NUT, RETORQUE THE REAR TOP AND BOTTOM BOLT/NUT.

Ref	Class	Part	Description	Qty	Comment	Footnote
30		824942 3	SEAL-EXHAUST BUCKET	1		
31		824795	EXHAUST BUCKET	1		
32		827023 1	BUMPER-TRIM COVER	1		4
33		822395	SEAL-EXHAUST TUBE	1		
34		822422	SEAL-IDLE RELIEF	1		
35	10	817430110	SCREW (M10 X 110)	6		
36	3525	821841A 5	DRIVESHAFT HOUSING	1	(SHORT-BLACK)	
36	3525	821841A 2	DRIVESHAFT HOUSING	1	(SHORT-GRAY)	
36	3531	821447A 1	DRIVESHAFT HOUSING	1	(LONG-BLACK)	
36	3531	821447A 2	DRIVESHAFT HOUSING	1	(LONG-GRAY)	
37	16	823984	STUD (M10 X 1.5 X 50)	1	(SHORT/LONG)	
37	16	824083	STUD (M10 X 1.5 X 114)	1	(X-LONG)	
38	10	824459120	SCREW (M8 X 1.25 X 120)	2		
39		821781 2	MOUNT (LOWER)	1		
40		821780F 1	COVER-MOUNT	1	(BLACK)	
40		821780F 2	COVER-MOUNT	1	(GRAY)	
41	12	45175	WASHER	1		
42	11	13914	NUT (M10)	1		
43	10	817626	SCREW (10-16 X .38)	2		
44	10	824459 65	SCREW (M8 X 1.25 X 65)	1		
45	13	72521	LOCKWASHER	1		
46		88238A11	CABLE ASSEMBLY	1		
47		821782 1	BUMPER (FRONT)	1		
48		821781 2	MOUNT (LOWER)	1		
49		821780F 1	COVER-MOUNT	1	(BLACK)	
49		821780F 2	COVER-MOUNT	1	(GRAY)	
50	12	36001	WASHER	3		
51	11	40119 8	NUT (M8 X 1.25)	3		